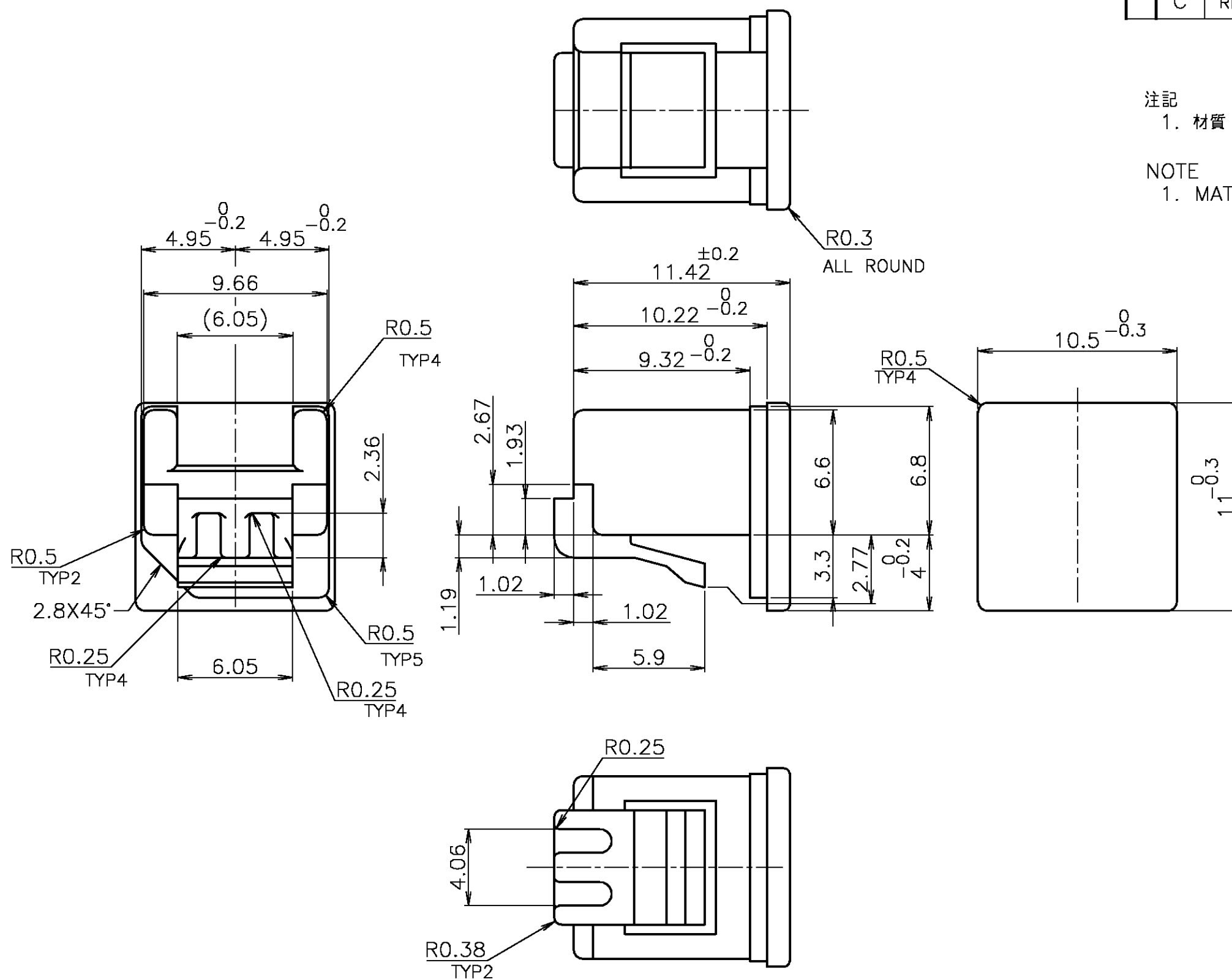


LOC	DIST	REVISONS		
J		変更		
P	LTR	DESCRIPTION	DATE	DWN
	C	REVISED	FJBO-0642-03	23JUL03
				J.T
				T.Y

注記  
1. 材質 : PA66 (UL94V-2) 色 : 黒色

NOTE  
1. MATERIAL : PA66 (UL94V-2) COLOR : BLACK



PART NO. 1717315-1

THIS DRAWING IS A CONTROLLED DOCUMENT.		DWN	J.TANIGAWA	04JUN03	<b>tyco</b> Electronics	Tyco Electronics AMP K.K. Kawasaki, Japan	
DIMENSIONS: 単位 : 耗 MM		CHK	T.YAMADA	04JUN03		NAME 名称 RJ11 CAP	
TOLERANCES UNLESS OTHERWISE SPECIFIED: 一般公差		APVD	T.YAMADA	04JUN03	PRODUCT SPEC 製品規格		
0 PLC ± 0.3 1 PLC ± 0.3 2 PLC ± 0.3 3 PLC ± 0.3 4 PLC ± 0.3 ANGLES ± 3'		APPLICATION SPEC 取付適用規格		WEIGHT	0.7 g	SIZE	A3
MATERIAL 材料 SEE NOTE		FINISH 仕上		CAGE CODE	00779	DRAWING NO 番号	C-1717315
		CUSTOMER DRAWING		RESTRICTED TO	—		
		SCALE 尺度		4:1	SHEET	1 OF 1	REV C